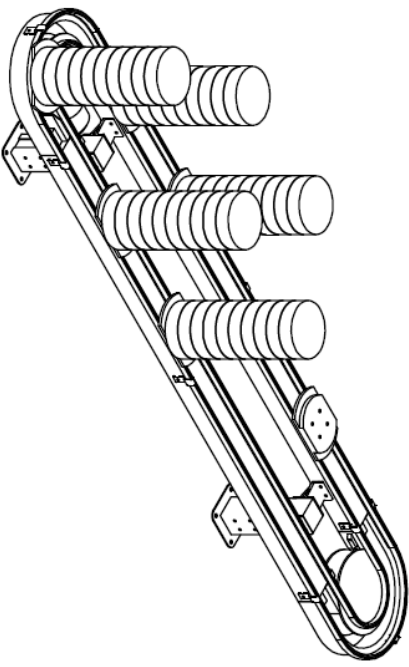
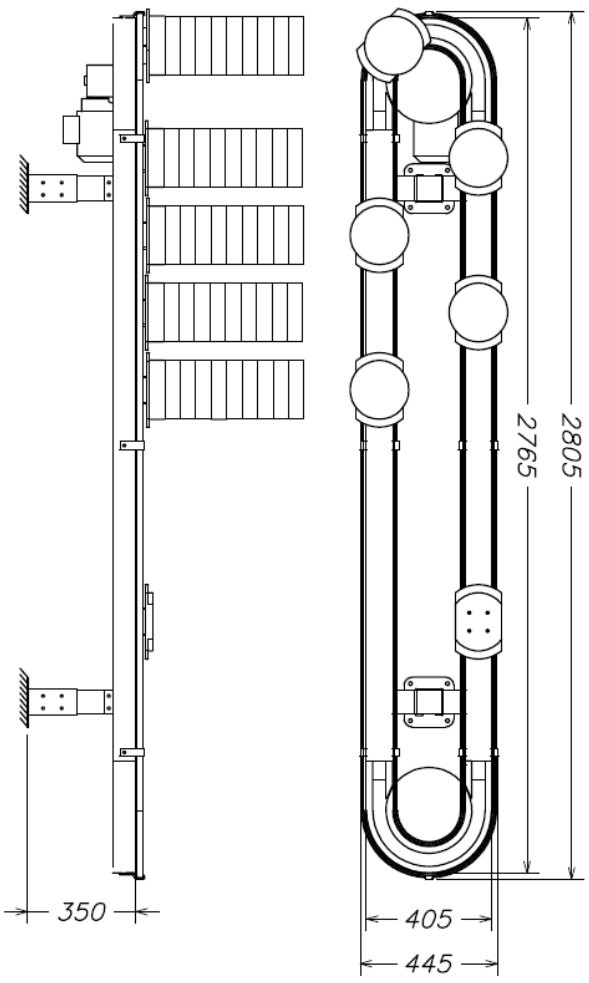
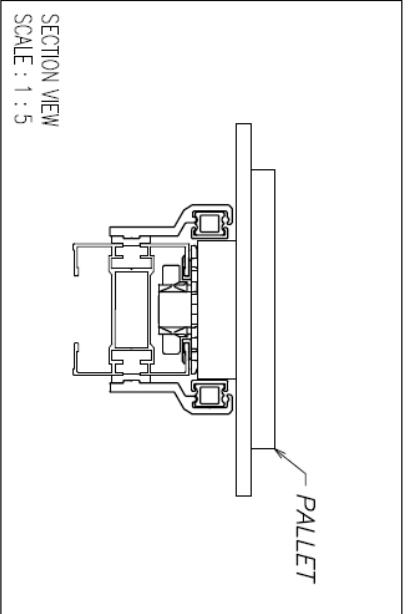


NOTICE OF PROPRIETARY PROPERTY
 THE INFORMATION CONTAINED HEREIN IS THE PROPERTY OF FLEXMOVE. THE POSSESSOR AGREES TO MAINTAIN THE DOCUMENT IN CONFIDENCE, NOT TO REPRODUCE, COPY, REVEAL OR PUBLISH IT IN WHOLE OR PART.



REV	TARGET COMPLETION	DESCRIPTION	APPROVED	DATE
1				
2				
3				

DWG RELEASE : -
 TARGET DELIVERY : -

REV00

TOLERANCES METRIC		DRAWING NO.		FM SERIES	
.X	±	CONVEYOR SYSTEM		-	
.XXX	±	MATERIAL		MATT.-FINISHING	
.XXX	±	MATERIAL		MATT.-FINISHING	
FRAC	±	TITLE		1 : 1	
ANGLE	±	SCALE		PROJECT: NIL	
14-2-08		DATE		PROJECT: NIL	
1		ITEM		1	
1		QTY		PC	
DRAWN		DESIGN		APPROVE	
DATE		SCALE		PROJECT: NIL	

