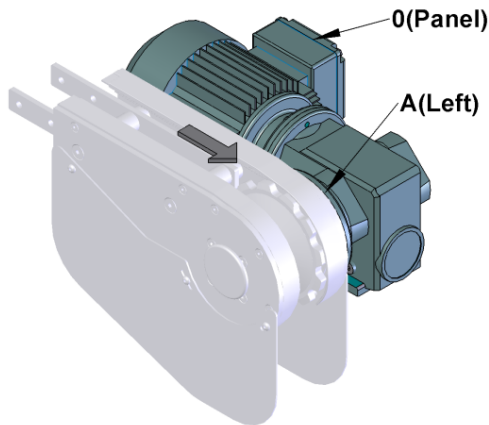


Direct Drive Motor Selection

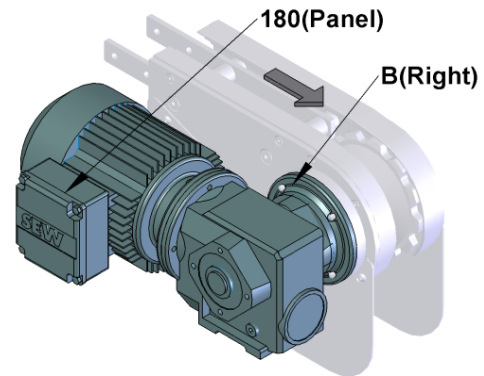
Direct Drive Left



SEW Sample Order:

**SAF[SEW Part No], i=[Gear Ratio]-M1B-Flange=120mm-
Shaft=20mm-TBox=0-Cable=X**

Direct Drive Right



SEW Sample Order:

**SAF[SEW Part No], i=[Gear Ratio]-M1A-Flange=120mm-
Shaft=20mm-TBox=180-Cable=X**

| Speed, m/min | * Gear Ratio, i | Speed, rpm | Torque, Nm | Power, W | * SEW Part No. Drive Diameter = 171mm | Estimated Traction Force, N | Series |
|--------------|-----------------|------------|------------|----------|--|-----------------------------|---------|
| 5 | 106 | 13 | 52 | 120 | SAF37DR63S4 | 600 | FK , FS |
| 10 | 63.33 | 21 | 52 | 180 | SAF37DR63M4 | 600 | FK , FS |
| 15 | 43.68 | 30 | 44 | 180 | SAF37DR63M4 | 508 | FK , FS |
| 20 | 30.68 | 42 | 45 | 250 | SAF37DR63L4 | 520 | FK , FS |
| 25 | 28.76 | 48 | 59 | 370 | SAF37DT71D4 | 680 | FK , FS |
| 30 | 22.5 | 61 | 47 | 370 | SAF37DT71D4 | 542 | FK , FS |
| 40 | 18.24 | 76 | 41 | 370 | SAF37DT71D4 | 473 | FK , FS |
| 50 | 13.39 | 102 | 46 | 550 | SAF37DT80K4 | 530 | FK , FS |
| 60 | 10.91 | 127 | 50 | 750 | SAF37DT80N4 | 577 | FK , FS |

* Maximum Traction Force = **500N** for FK & FS (Always set limit value of driving current or torque limiter)

| Speed, m/min | * Gear Ratio, i | Speed, rpm | Torque, Nm | Power, W | *SEW Part No. Drive Diameter = 171mm | Estimated Traction Force, F | Series |
|--------------|-----------------|------------|------------|----------|---|-----------------------------|----------|
| 5 | 122.94 | 11 | 93 | 180 | SAF37DR63M4 | 1073 | FM,FC,FL |
| 10 | 63.33 | 22 | 103 | 370 | SAF37DT71D4 | 1188 | FM,FC,FL |
| 15 | 43.68 | 32 | 87 | 370 | SAF37DT71D4 | 1004 | FM,FC,FL |
| 20 | 30.68 | 44 | 94 | 550 | SAF37DT80K4 | 1085 | FM,FC,FL |
| 35 | 19.13 | 72 | 81 | 750 | SAF37DT80N4 | 935 | FM,FC,FL |
| | | | | | | | |
| | | | | | | | |
| | | | | | | | |

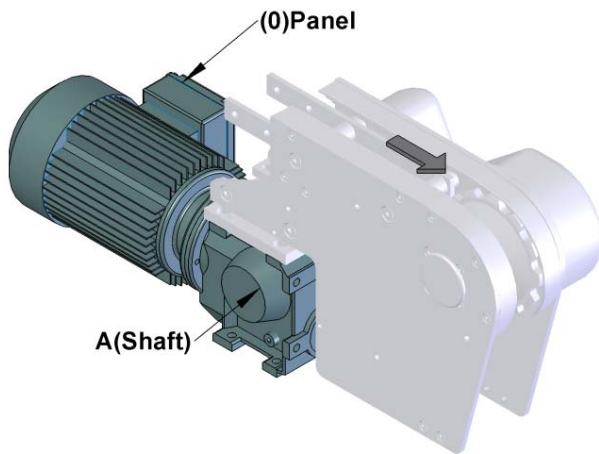
* Maximum Traction Force = **1000N** for FM, FC & FL (Always set limit value of driving current or torque limiter)

FlexMove standard drive shaft is 20mm & Flange 120mm mounting.
Kindly inform any non-standard flange and drive shaft diameter upon order.

Motor Selection

Suspended Drive Motor Selection

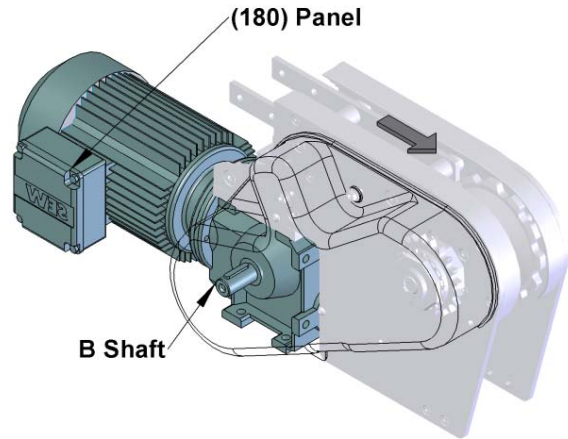
Suspended Drive Left



SEW Sample Order:

S[**SEW Part No**], i=[**Gear Ratio**]-M1A-Shaft=20mm-TBox=0-Cable=X

Suspended Drive Right



SEW Sample Order:

S[**SEW Part No**], i=[**Gear Ratio**]-M1B-Shaft=20mm-TBox=180-Cable=X

| Speed, m/min | * Gear Ratio, i | Speed, rpm | Torque, Nm | Power, W | *SEW Part No. Drive Diameter = 171mm | Estimated Traction Force, N | Series |
|--------------|-----------------|------------|------------|----------|---|-----------------------------|---------|
| 5 | 106 | 13 | 52 | 120 | S37DR63S4 | 600 | FK , FS |
| 10 | 63.33 | 21 | 52 | 180 | S37DR63M4 | 600 | FK , FS |
| 15 | 43.68 | 30 | 44 | 180 | S37DR63M4 | 508 | FK , FS |
| 20 | 30.68 | 42 | 45 | 250 | S37DR63L4 | 520 | FK , FS |
| 25 | 28.76 | 48 | 59 | 370 | S37DT71D4 | 680 | FK , FS |
| 30 | 22.5 | 61 | 47 | 370 | S37DT71D4 | 542 | FK , FS |
| 40 | 18.24 | 76 | 41 | 370 | S37DT71D4 | 473 | FK , FS |
| 50 | 13.39 | 102 | 46 | 550 | S37DT80K4 | 530 | FK , FS |
| 60 | 10.91 | 127 | 50 | 750 | S37DT80N4 | 577 | FK , FS |

* Maximum Traction Force = **500N** for FK & FS (Always set limit value of driving current or torque limiter)

| Speed, m/min | * Gear Ratio, i | Speed, rpm | Torque, Nm | Power, W | *SEW Part No. Drive Diameter = 171mm | Estimated Traction Force, F | Series |
|--------------|-----------------|------------|------------|----------|---|-----------------------------|----------|
| 5 | 122.94 | 11 | 93 | 180 | S37DR63M4 | 1073 | FM,FC,FL |
| 10 | 63.33 | 22 | 103 | 370 | S37DT71D4 | 1188 | FM,FC,FL |
| 15 | 43.68 | 32 | 87 | 370 | S37DT71D4 | 1004 | FM,FC,FL |
| 20 | 30.68 | 44 | 94 | 550 | S37DT80K4 | 1085 | FM,FC,FL |
| 35 | 19.13 | 72 | 81 | 750 | S37DT80N4 | 935 | FM,FC,FL |
| | | | | | | | |
| | | | | | | | |
| | | | | | | | |

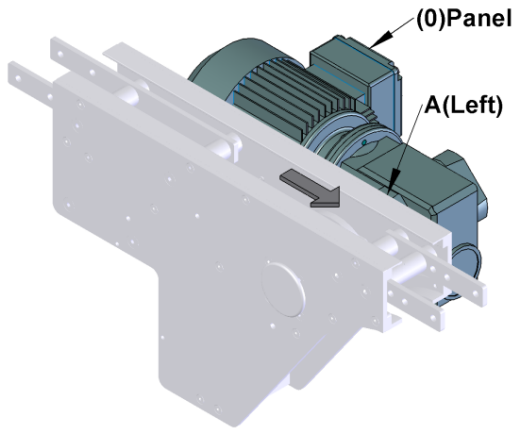
* Maximum Traction Force = **1000N** for FM, FC & FL (Always set limit value of driving current or torque limiter)

FlexMove standard drive shaft and pulley diameter are 20mm.
Kindly inform any non-standard diameter upon order.

Motor Selection

Intermediate Direct Drive Motor Selection

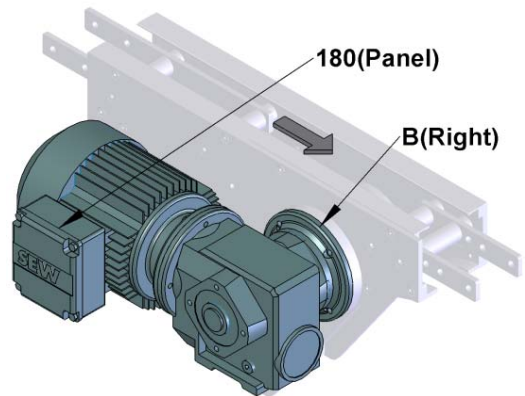
Intermediate Direct Drive Left



SEW Sample Order:

SAF [SEW Part No], i=[Gear Ratio]-M1B-Flange=120mm-Shaft=20mm-TBox=0-Cable=X

Intermediate Direct Drive Right



SEW Sample Order:

SAF [SEW Part No], i=[Gear Ratio]-M1A-Flange=120mm-Shaft=20mm-TBox=180-Cable=X

| Speed, m/min | * Gear Ratio, i | Speed, rpm | Torque, Nm | Power, W | * SEW Part No. Drive Diameter = 101mm | Estimated Traction Force, N | Series |
|--------------|-----------------|------------|------------|----------|--|-----------------------------|---------|
| 5 | 71.44 | 19 | 37 | 120 | SAF37DR63S4 | 732 | FK , FS |
| 10 | 43.68 | 32 | 28 | 120 | SAF37DR63S4 | 554 | FK , FS |
| 15 | 28.76 | 46 | 30 | 180 | SAF37DR63M4 | 594 | FK , FS |
| 20 | 19.89 | 65 | 32 | 250 | SAF37DR63L4 | 633 | FK , FS |
| 25 | 15.53 | 84 | 25 | 250 | SAF37DT63L4 | 495 | FK , FS |
| 30 | 13.39 | 103 | 30 | 370 | SAF37DT71D4 | 594 | FK , FS |
| 40 | 10.91 | 127 | 25 | 370 | SAF37DT71D4 | 495 | FK , FS |
| 50 | 9.02 | 151 | 31 | 550 | SAF37DT80K4 | 613 | FK , FS |
| 60 | 6.8 | 203 | 32 | 750 | SAF37DT80N4 | 633 | FK , FS |

* Maximum Traction Force = 500N for FK & FS (Always set limit value of driving current or torque limiter)

| Speed, m/min | * Gear Ratio, i | Speed, rpm | Torque, Nm | Power, W | * SEW Part No. Drive Diameter = 138mm | Estimated Traction Force, N | Series |
|--------------|-----------------|------------|------------|----------|--|-----------------------------|----------|
| 5 | 98.8 | 13 | 77 | 180 | SAF37DR63M4 | 1115 | FM,FC,FL |
| 10 | 51.3 | 25 | 72 | 250 | SAF37DR63L4 | 1043 | FM,FC,FL |
| 15 | 37.66 | 37 | 76 | 370 | SAF37DT71D4 | 1101 | FM,FC,FL |
| 20 | 28.76 | 47 | 89 | 550 | SAF37DT80K4 | 1289 | FM,FC,FL |
| 25 | 22.5 | 60 | 70 | 550 | SAF37DT80K4 | 1014 | FM,FC,FL |
| 30 | 19.13 | 72 | 81 | 750 | SAF37DT80N4 | 1173 | FM,FC,FL |
| | | | | | | | |
| | | | | | | | |
| | | | | | | | |

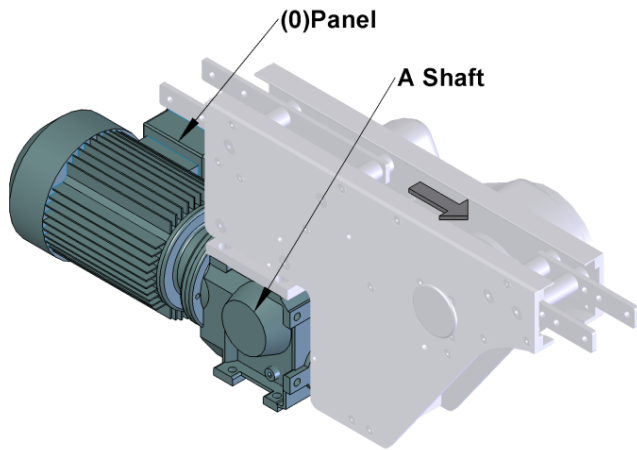
* Maximum Traction Force = 1000N for FM, FC & FL (Always set limit value of driving current or torque limiter)

FlexMove standard drive shaft is 20mm & Flange 120mm mounting.
Kindly inform any non-standard flange and drive shaft diameter upon order.

Motor Selection

Intermediate Suspended Drive Motor Selection

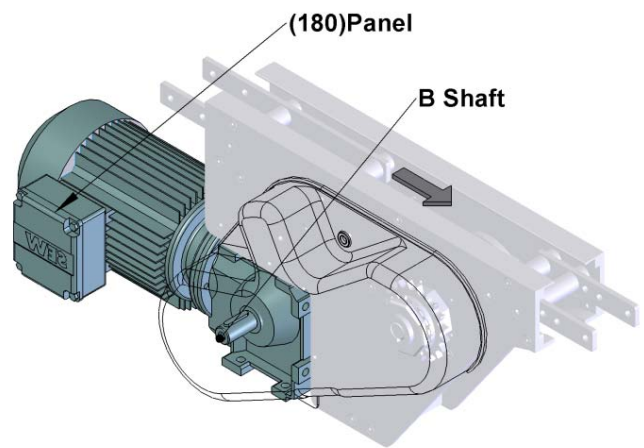
Intermediate Suspended Drive Left



SEW Sample Order:

S[SEW Part No], i=[Gear Ratio]-M1A-Shaft=20mm-TBox=0-Cable=X

Intermediate Suspended Drive Right



SEW Sample Order:

S[SEW Part No], i=[Gear Ratio]-M1B-Shaft=20mm-TBox=180-Cable=X

| Speed, m/min | * Gear Ratio, i | Speed, rpm | Torque, Nm | Power, W | * SEW Part No. Drive Diameter = 101mm | Estimated Traction Force, N | Series |
|--------------|-----------------|------------|------------|----------|--|-----------------------------|---------|
| 5 | 71.44 | 19 | 37 | 120 | S37DR63S4 | 732 | FK , FS |
| 10 | 43.68 | 32 | 28 | 120 | S37DR63S4 | 554 | FK , FS |
| 15 | 28.76 | 46 | 30 | 180 | S37DR63M4 | 594 | FK , FS |
| 20 | 19.89 | 65 | 32 | 250 | S37DR63L4 | 633 | FK , FS |
| 25 | 15.53 | 84 | 25 | 250 | S37DT63L4 | 495 | FK , FS |
| 30 | 13.39 | 103 | 30 | 370 | S37DT71D4 | 594 | FK , FS |
| 40 | 10.91 | 127 | 25 | 370 | S37DT71D4 | 495 | FK , FS |
| 50 | 9.02 | 151 | 31 | 550 | S37DT80K4 | 613 | FK , FS |
| 60 | 6.8 | 203 | 32 | 750 | S37DT80N4 | 633 | FK , FS |

* Maximum Traction Force = 500N for FK & FS (Always set limit value of driving current or torque limiter)

| Speed, m/min | * Gear Ratio, i | Speed, rpm | Torque, Nm | Power, W | * SEW Part No. Drive Diameter = 138mm | Estimated Traction Force, N | Series |
|--------------|-----------------|------------|------------|----------|--|-----------------------------|----------|
| 5 | 98.8 | 13 | 77 | 180 | S37DR63M4 | 1115 | FM,FC,FL |
| 10 | 51.3 | 25 | 72 | 250 | S37DR63L4 | 1043 | FM,FC,FL |
| 15 | 37.66 | 37 | 76 | 370 | S37DT71D4 | 1101 | FM,FC,FL |
| 20 | 28.76 | 47 | 89 | 550 | S37DT80K4 | 1289 | FM,FC,FL |
| 25 | 22.5 | 60 | 70 | 550 | S37DT80K4 | 1014 | FM,FC,FL |
| 30 | 19.13 | 72 | 81 | 750 | S37DT80N4 | 1173 | FM,FC,FL |
| | | | | | | | |
| | | | | | | | |
| | | | | | | | |

* Maximum Traction Force = 1000N for FM, FC & FL (Always set limit value of driving current or torque limiter)

FlexMove standard drive shaft and pulley diameter are 20mm.
Kindly inform any non-standard diameter upon order.

Motor Selection